

VIAIR®

Your Vital Air Source



42046 – TLC PRO COMPRESSOR KIT



IMPORTANT:

It is essential that you and any other operator of this product read and understand the contents of this manual before installing and using this product.

SAVE THIS MANUAL FOR FUTURE REFERENCE



USER MANUAL

TLC PRO COMPRESSOR KIT

IMPORTANT SAFETY INSTRUCTIONS

CAUTION - To reduce risk of electrical shock:

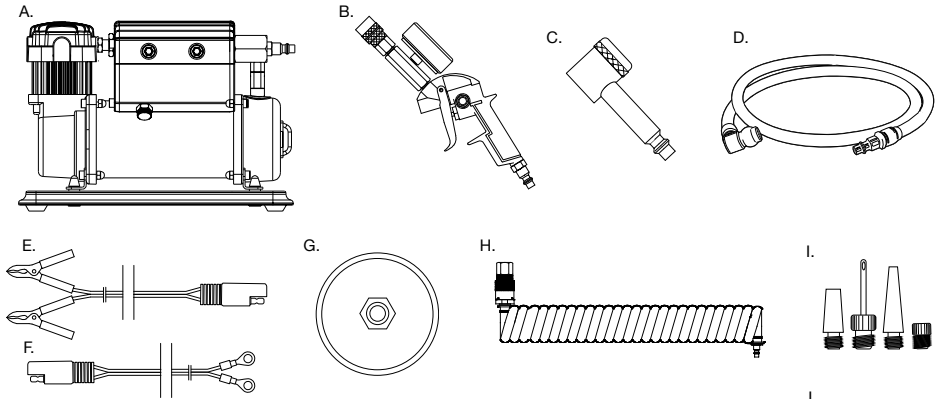
- Do not disassemble or attempt to repair or modify unit while it is still connected to the vehicle.
- Do not use this product in an area where it can fall or be pulled into water or other liquids.
- Do not reach for this product if it has fallen into liquid.
- Use this compressor with 12-Volt DC systems only.
- This product should never be left unattended during use.

WARNING - To prevent injury:

- Close supervision is necessary when this compressor is being used near children. Never allow a child to operate this compressor.
- This compressor will become very HOT during and immediately after use. Do not touch any parts with bare hands, other than the ON/OFF switch during and immediately after use.
- Do not use this product near flames or explosive materials or where aerosol products are being used.
- Do not operate this product where oxygen is being administered.
- Do not pump anything other than atmospheric air.
- Never use this product while sleepy or drowsy.
- Do not use any tools or attachments without first determining maximum air pressure for that tool or attachment.
- Never point any air nozzle or air sprayer toward another person or any part of the body.
- This air compressor is equipped with an Automatic Reset Thermal Protector, and can automatically restart after the thermal protector resets. Always cut off power source when thermal protector becomes activated.
- Use only in well ventilated areas.
- After use, always release excess pressure from the coil hose and tank. Turn off the unit and with the inflator still connected to the hose, pull the trigger to release excess pressure.

TLC PRO COMPRESSOR KIT COMPONENTS LIST:

Please familiarize yourself with the components list in this manual before you begin to use your compressor.



- A. TLC PRO Compressor
- B. TLC Inflator with 160 PSI gauge
- C. Rebuildable Presta Head attachment
- D. 90-Degree Twist-on Schrader attachment
- E. 2-Pin SAE connector attachment with Battery Clips
- F. 2-Pin SAE connector attachment with Terminal Rings
- G. Air Filter housing with (2) replacement air filter elements
- H. 30ft. Inside Braided Coil Hose
- I. Inflation tips kit
- J. Blow Gun

TLC PRO COMPRESSOR KIT

OPERATING INSTRUCTIONS

Your TLC PRO is powered via the Battery Clips or Terminal Rings, and can be used as a portable or hard-mounted to your vehicle using the respective attachments. To avoid draining your battery and assure the compressor is getting the proper amperage, make sure your vehicle's engine is running during operation, especially if using for a prolonged period of time. Do not connect the Red Clip or Red Terminal Ring to any power source other than the Positive (+) Terminal of your vehicle's battery.

1 - CONNECTING TO THE BATTERY USING THE 2-PIN SAE BATTERY CLIPS

The Battery Clips offer a flexible way of powering your compressor from any vehicle by simply clipping them onto the battery terminals.

- a. Make sure the compressor switch is in the OFF (O) position.
- b. Make sure the vehicle's engine and ignition are off.
- c. Connect the Red Clip to the Positive (+) terminal of your battery.
- d. Connect the Black Clip to the Negative (-) terminal of your battery, or other ground source.
- e. Start the engine.

2 - CONNECTING TO THE BATTERY USING THE 2-PIN SAE TERMINAL RINGS

The Terminal Rings allow you to mount the compressor permanently to a vehicle and also provide a more practical way of using it as a portable.

- a. Make sure the vehicle's engine and ignition are off.
- b. Install the Red Terminal Ring on the Positive (+) terminal post of your battery, this can be done by removing the nut that holds the clamp in place, installing the terminal ring, and re-tightening the nut. Refer to your vehicle's owner's manual for help if needed.
- c. Install the Black Terminal Ring on the Negative (-) terminal post of your battery or other ground source.
- d. Connect compressor power cord to the 2-Pin SAE terminal.
- e. Start the engine.

3 - USING THE COMPRESSOR

Now that your vehicle is running, you're ready to operate your TLC PRO. Make sure the air filter is installed as this is a vital component to the longevity of your compressor.

- a. Connect the Coil Hose to the Quick Connect Stud on your TLC PRO.
- b. Connect the TLC Inflator or Blow Gun to the other end of the Coil Hose.
- c. Turn on your TLC PRO by flipping the switch to the ON (I) position.
- d. The compressor will run for a few moments and automatically shut off when the reservoir has been filled to max pressure.
- e. You're now ready to perform your pneumatic tasks!

IMPORTANT NOTE:

TO AVOID DIRT AND MOISTURE CONTAMINATION AS WELL AS SHORTING THE POWER WIRE, PLEASE REPLACE SAE TERMINAL COVER WHEN NOT IN USE.

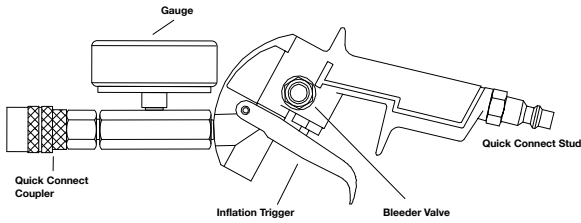
HARD-MOUNT INSTALLATION INSTRUCTIONS

- a. Refer to section 2 of Operating Instructions and connect the battery Terminal Rings to your vehicle's battery.
- b. Select a FLAT, UPRIGHT, AND SECURE location where the compressor can be mounted.
- c. Route the compressor's power cord to the terminal rings and connect using the SAE plug.
- d. If it's necessary to mount the compressor in a place beyond the power cord's reach to the Terminal Ring attachment, refer to the amp draw chart on the last page of this manual and use appropriate gauge wire to extend your battery Terminal Ring attachments. When in doubt, always use the next larger wire size.

IMPORTANT NOTES:

- a. If mounting in the engine compartment, open your hood to allow maximum cooling of the compressor unit during prolonged use. The cooler the ambient temperature, the less chance the compressor will overheat.
- b. This compressor is moisture & dust resistant, but NOT DIRT OR WATERPROOF. Do not mount compressor in locations where the unit is likely to come in contact with the elements.
- c. If it's necessary to mount the compressor in a place beyond the power cord's reach to the Terminal Ring attachment, refer to the amp draw chart on the last page of this manual and use appropriate gauge wire to extend your battery Terminal Ring attachments. When in doubt, always use the next larger wire size.

TLC PRO COMPRESSOR KIT



USING THE TLC TIRE INFLATOR

1. Connecting the TLC inflator:

Select an inflation attachment and connect it to the TLC Inflater Quick-Connect Coupler. Then, connect the Inflater to an air hose by inserting the Quick-Connect Stud into the air hose coupler.

2. Inflating/Deflating Tires:

To inflate, squeeze the Inflation Trigger by pressing it towards the handle of the inflator, this will allow air to flow into the tire. To deflate, press the Bleeder Valve located on the side of the body, this will release air from the tire.

3. Checking Tire Pressure:

To check tire pressure after inflation/deflation, simply release the Inflation Trigger or the Bleeder Valve. This will allow the needle in the gauge to settle and show the accurate pressure reading. You can also check tire pressure by simply connecting the TLC Inflater to a tire valve stem.

4. Storage:

Always store the TLC Inflater in the carry bag provided to protect it from impact or damage.

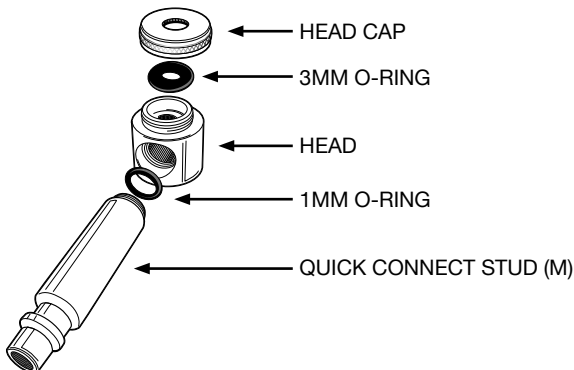
WARNING:

- Never operate at any pressure exceeding the max reading on the gauge.
- Use caution when attaching or removing air chuck from valve stems.
- Always ensure that tire valve stems are tight before inflating.
- Never inflate any tire or other inflatable past its rated pressure to avoid explosion, possible injury or death.

WARNING: Not intended for use with regular portable compressors (units meant to be operated with an open-ended air chuck). The TLC Inflater is equipped with a close-ended quick coupler (will hold pressure back).

REBUILDABLE PRESTA HEAD

Over time, tubeless sealant can clog the internals of the Inflater and make it hard to setup your tires. That's why we designed the Presta Head attachment to be easily rebuildable, so you can clean it periodically and maintain maximum performance. Refer to the diagram below for assembly instructions.



TLC PRO COMPRESSOR KIT

COMPRESSOR MAINTENANCE & REPAIRS

- a. Periodically drain the tank using the drain valve.
- b. Replace air filter element periodically. Replacement frequency depends on operating frequency and operating environment. For frequent use in dusty environment, we recommend that you replace air filter element at least once a month.
- c. Regularly clean dust and dirt from compressor cooling fins and/or motor housing.
- d. Your air compressor is equipped with a permanently lubricated, maintenance-free motor. Never try to lubricate the compressor.
- e. All repairs should be performed by Manufacturer or Manufacturer's Authorized Service Agencies only.
- f. For complete information regarding VIAIR Warranty, please visit: www.viaircorp.com/warranty

SPECIFICATIONS

42046 – TLC PRO COMPRESSOR KIT: (CE Certified)

Motor Voltage:	12-Volts
Max. Current Consumption:	30-Amps
Recommended Fuse:	40-Amps
Motor Type:	Permanent Magnetic
Max. Working Pressure:	150 PSI*
Max. Duty Cycle (@72°F & 100 PSI):	33%
Minutes On/Off (@72°F & 100 PSI):	20 On / 40 Off
Max. Ambient Temperature:	158°F
Min. Ambient Temperature:	-40°F
Auto. Reset Thermal Protection:	Yes

* Do not exceed compressor's max working pressure to prevent damage to the compressor.

PERFORMANCE DATA

PSI	CFM	A	BAR	LPM	A
0	2.62	16	0	74	16
10	2.39	18	1.0	65	20
20	2.21	20	2.0	60	23
30	2.11	22	3.0	56	25
40	2.01	24	4.0	53	27
50	1.93	25	5.0	49	28
60	1.84	26	6.0	46	28
70	1.73	27	7.0	42	28
80	1.65	27	8.0	38	28
90	1.52	27	9.0	35	27
100	1.45	27	10.0	31	27
110	1.35	27			
120	1.26	27			
130	1.19	27			
140	1.08	27			
150	1.01	26			

TLC PRO COMPRESSOR KIT

TROUBLESHOOTING GUIDE:

PROBLEM:	POSSIBLE CAUSE(S)	CORRECTIVE ACTION
Tank pressure drops when compressor(s) shut off	<ol style="list-style-type: none">1. Loose drain cock2. Loose connections	<ol style="list-style-type: none">1. Tighten drain cock2. Check all connections with soap and water solution and tighten
Compressor runs continuously and air flow lower than normal	<ol style="list-style-type: none">1. Excessive air usage2. Loose connections3. Worn piston ring or inlet valve.4. Clogged air filter element	<ol style="list-style-type: none">1. Decrease air usage2. Check all connections with soap and water solution and tighten.3. Replace compressor4. Replace air filter element
Compressor runs continuously causing safety valve (if equipped) to open	<ol style="list-style-type: none">1. Defective pressure switch2. Defective safety valve	<ol style="list-style-type: none">1. Replace pressure switch2. Replace safety valve
Excessive moisture in discharge	<ol style="list-style-type: none">1. Excessive water in air tank2. High humidity	<ol style="list-style-type: none">1. Drain tank, tilt tank to drain. Drain tank more frequently2. Move compressor to area with less humidity, or use air line filter.
Compressor will not run	<ol style="list-style-type: none">1. No power, or power switch in OFF position2. Blown fuse3. Motor overheats4. Pressure switch failure	<ol style="list-style-type: none">1. Make sure compressor switch is ON2. Disconnect compressor(s) from power source, replace fuse. (Refer to Specifications section for correct amperage rating)3. Let compressors cool off for about 30 minutes to allow thermal overload switch to reset.4. Replace pressure switch
Thermal overload protector cuts out repeatedly	<ol style="list-style-type: none">1. Lack of proper ventilation or ambient temperature is too high2. Compressor valves failed	<ol style="list-style-type: none">1. Move compressor to well ventilated area, or area with lower ambient temperature2. Repair or replace compressor
Excessive knocking or rattling	<ol style="list-style-type: none">1. Loose or damaged mounting feet2. Worn bearing on eccentric or motor shaft3. Cylinder or piston ring is worn	<ol style="list-style-type: none">1. Replace mounting feet2. Replace bearing or piston assembly3. Replace piston or compressor

CAUTION: NEVER DISASSEMBLE COMPRESSOR WHILE COMPRESSOR IS PRESSURIZED.

TLC PRO COMPRESSOR KIT

ABOUT COMPRESSOR DUTY CYCLE:

Duty cycle refers to the amount of time a compressor can be operated in a given time period at 100 PSI, and a standard ambient temperature of 72° F. It is commonly expressed in percentage format: $\text{Compressor on time} \div (\text{on time} + \text{off time}) = \text{Duty Cycle \%}$.

ONE-HOUR DUTY CYCLE

(100 PSI @ 72°F)

9%
10%
15%
20%
25%
30%
33%
50%
100%

MINUTES ON / MINUTES OFF

5 Min. On / 55 Min. Off
6 Min. On / 54 Min. Off
9 Min. On / 51 Min. Off
12 Min. On / 48 Min. Off
15 Min. On / 45 Min. Off
18 Min. On / 42 Min. Off
20 Min. On / 40 Min. Off
30 Min. On / 30 Min. Off
1 Hour Run Time

NOTE: All compressors, regardless of rated duty cycle, require sufficient rest time in between cycles to allow for partial or complete heat dissipation. Heat dissipation rates may vary depending on ambient temperatures and operating conditions.

ABOUT RATED WORKING PRESSURE:

To ensure trouble free service life of your compressor, always operate compressor within rated working pressure of the compressor. Never use a pressure switch with a higher cut-off pressure than compressor's rated working pressure.

WIRE GAUGE GUIDE 12-VOLT:

Amp Draw	Length of wire from battery to compressor (in feet)			
	5	10	15	20
5	16	16	16	14
10	16	14	12	10
15	16	12	10	10
20	14	10	10	8
25	14	10	8	6
30	12	10	8	6
40	12	8	6	6
50	10	6	6	4
60	10	6	4	4

TLC PRO COMPRESSOR KIT

LIMITED WARRANTY:

VIAIR® Corporation warrants this product, when properly installed and under normal conditions of use, to be free from defects in workmanship and materials for a period of one year from its original date of purchase. To receive warranty service or repair, please contact VIAIR® Corporation.

Returns should be made within one year of the date of purchase, after a Return Goods Authorization (RGA) number has been assigned by VIAIR® Corporation. For complete warranty details, please visit: www.viaircorp.com/warranty

PLEASE NOTE:

THIS WARRANTY COVERS PRODUCT DEFECTS ONLY; IT DOES NOT COVER INCIDENTAL OR CONSEQUENTIAL DAMAGES AS RESULT OF MISUSE OR ABUSE.

This Manual is proprietary to VIAIR® Corporation and no ownership rights are hereby transferred. No part of the Manual shall be used, reproduced, translated, converted, adapted, stored in a retrieval system, communicated or transmitted by any means, for any commercial purpose, including without limitation, sale, resale, license, rental or lease, without the prior express written consent of VIAIR®.

VIAIR® does not make any representations, warranties or guarantees, express or implied, as to the accuracy or completeness of the Manual. Users must be aware that updates and amendments will be made from time to time to the Manual. It is the user's responsibility to determine whether there have been any such updates or amendments. Neither VIAIR® nor any of its directors, officers, employees or agents shall be liable in contract, tort or in any other manner whatsoever to any person for any loss, damage, injury, liability, cost or expense of any nature, including without limitation incidental, special, direct or consequential damages arising out of or in connection with the use of the Manual.

All third party product names, logos, and brands are property of their respective owners. All company, product service and trademark names are for identification purposes only. Use of these names, logos, and brands does not imply ownership or endorsement.



Your Vital Air Source

15 EDELMAN • IRVINE, CA 92618

TEL: (949) 585-0011

www.viaircorp.com